

DCII

Dry Contact Input Interface



The Dry Contact Input Interface (DCII) is designed to deliver an enhanced occupant experience in a space by enabling integrations between Encelium Light Management System and third-party systems. These systems can include room booking systems in offices, AV in lecture halls, or bedside controls in hospital patient care rooms. Based on the dry contact signal, the Encelium system sets lighting scenes that can include intensity or color temperature. The DCII can also use momentary hold signals to enable raise/lower functionality.

Date: _____

Quantity: _____

Company: _____

Project: _____

Key Features & Benefits

- Provides 6 separate dry contact inputs
- Receive single event signal to turn on, turn off, recall a scene, change color temperature, or change shade position
- Receive momentary hold to raise/lower lighting intensity, color temperature (CCT), or set shade position
- Push-in terminal blocks enable quick wiring and installation
- Works with:
 - Encelium X

Specifications

ELECTRICAL

Supply Voltage

- 12-24 V from GreenBus

Maximum Current

- 5 mA

ENVIRONMENTAL

Operating Temperature

- 32° – 104°F (0° – 40°C)

Relative Humidity

- 0% – 95% non-condensing, for indoor use only

PHYSICAL

Color

- Black

Housing

- ABS plastic

Dimensions (H x W x D)

- 0.9 x 3.86 x 2.1 inch (23 x 98.2 x 53 mm)

Weight

- 1.06 oz (30 g)

WARRANTY

- For warranty details, refer to full warranty documentation at www.encelium.com

CERTIFICATIONS & SAFETY

Approbations

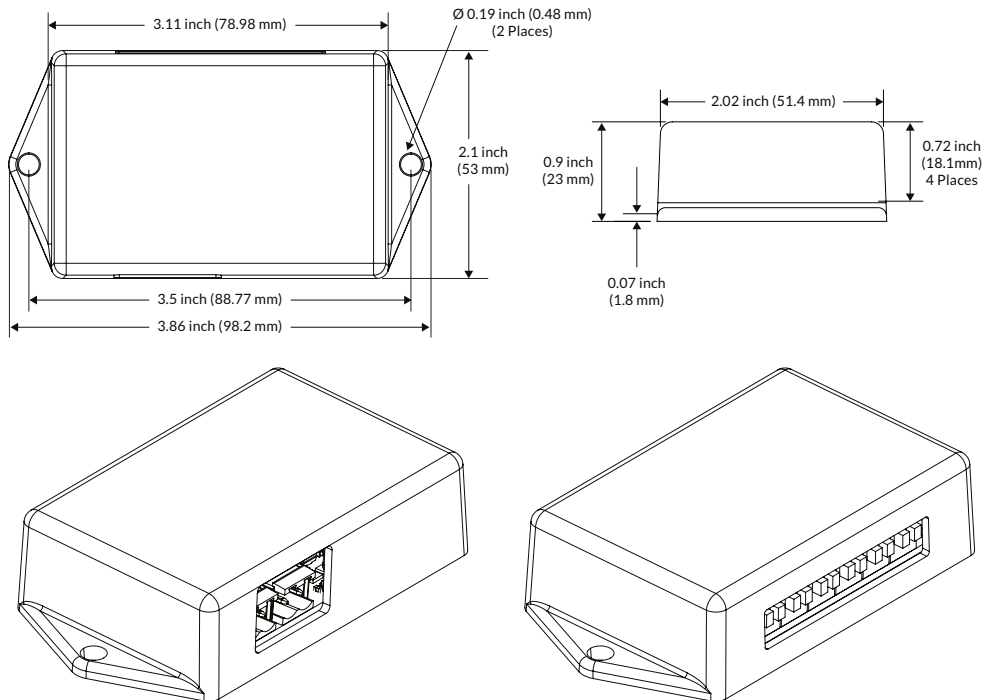
- UL Listed (UL 916)
- Plenum Rated (UL 2043)
- FCC Part 15 Subpart B, ICES003



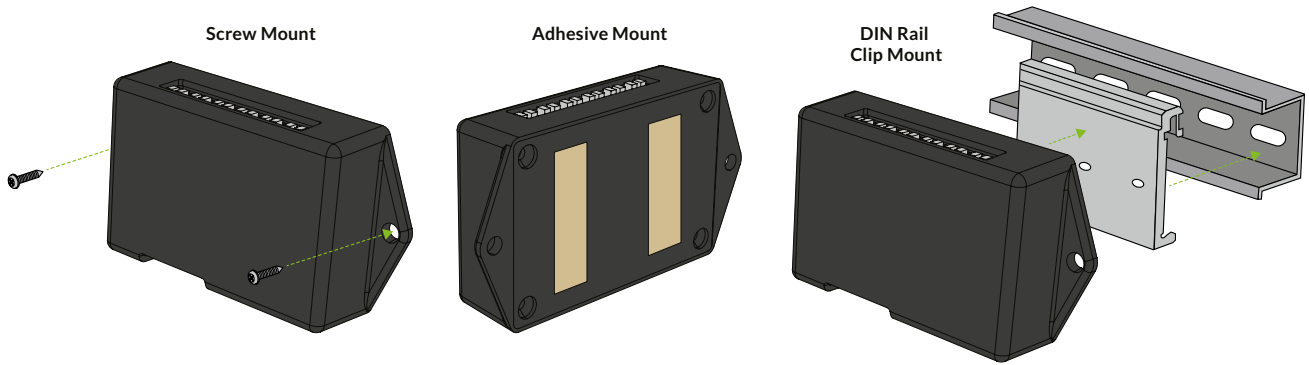
Ordering Information

Item Number	Ordering Code	Description
56360	EN-DCII-GB2	Dry Contact Input Interface

Dimensions

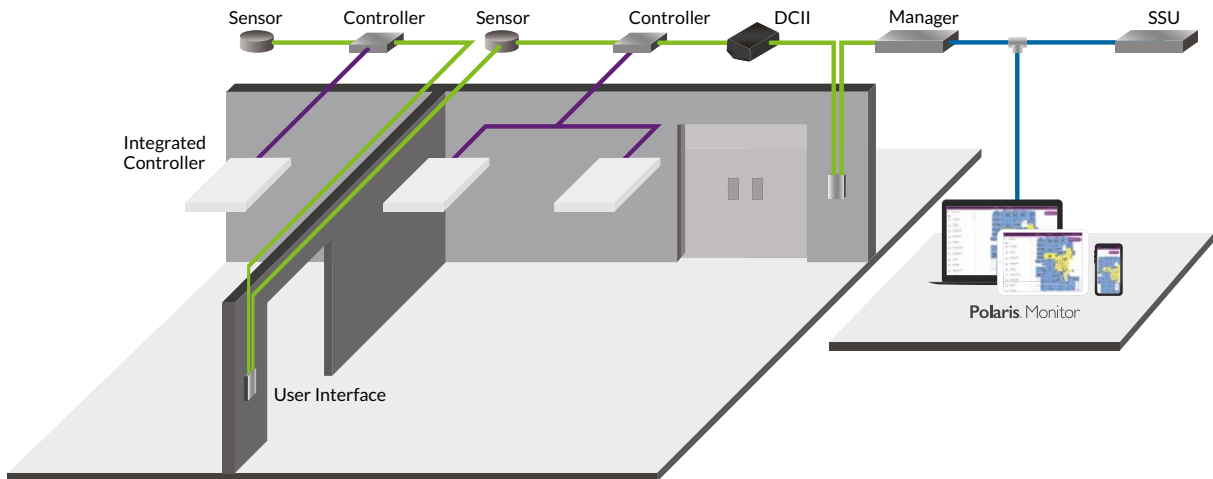


Mounting Options



Wired System Overview

The DCII is a GreenBus device and is wired using the 2-wire input/output cables in a daisy chain wiring scheme. It can be located in a ceiling or in AV closets depending on the application.



Wireless System Overview

In a wireless system, the DCII is tethered from the GreenBus ports on the load controllers (WCM or WALC).

