

Low-Voltage Occupancy Sensors



The low-voltage sensor family includes single and multi-technology sensors in various configurations and application types. The single-technology Passive Infra-Red (PIR) sensors are a cost-effective option for small and large spaces when major motion is available. The multi-technology option adds an active Ultrasonic (U/S) sensor to the PIR sensor to increase minor motion sensitivity in critical applications like single occupant offices and restrooms.

These low-voltage sensors collect occupancy information from a lighted space and works with the Encelium® Extend Networked and Encelium Edge™ Standalone Wireless Light Management Systems via GreenBus II® wire¹ and/or ZigBee® standards based mesh network².

These low-voltage sensors obtain their operating power from the system controller or from the devices³ they are attached to.

System Compatibility

- Works with the Encelium® Extend Networked Light Management System
- Works with the Encelium Edge™ Standalone Wireless Light Management System

Key Features & Benefits

- PIR/Ultrasonic sensor combination
 - Use of single technology or multi-technology depending on the applications
- Variety of space coverage options
 - 450 sq ft (42 sq m) to 2,000 sq ft (185 sq m) for ceiling mount sensors
 - 200 sq ft (140 sq m) to 2,500 sq ft (232 sq m) for wall mount sensors
- No batteries required when used in wireless or hybrid architectures
- Setup and monitoring via software
 - Mapping/remapping
 - Time-out settings



Our Brand

ENCELIUM

OSRAM

Specifications

Control

- U/S Sensitivity: 0% – 100%; green knob (U/S models only)
- PIR Sensitivity: 0% – 100%; red knob
- Time Delay: 30 seconds – 30 minutes; black knob (Factory setting: 10 minutes)

Indicator

- Red LED: Motion detected with PIR sensor
- Green LED: Motion detected with U/S sensor (U/S models only)

Software

- Any number of sensors can be mapped to any number of zones⁴.
- Timeout settings fully configurable.

Environmental

- Operating Temperature Range:
 - 32° – 104°F (0° – 40°C)
- Relative Humidity:
 - 0% – 95% non-condensing, for indoor use only.

Physical

- Base Diameter:
 - Ceiling-Mounted Sensors—4.2 inch (107 mm); Height: 1.57 inch (40 mm)
 - Wall-Mounted Sensors—4.2 inch (107 mm); Overall Length: 6.43 inch (163 mm)

- Weight:
 - Ceiling-Mounted Sensors—5 oz (142 g)
 - Wall-Mounted Sensors—6 oz (171 g)
- Wire Length:
 - 6 inch (160 mm)
- Color:
 - White
- Housing:
 - Rugged, high-impact, UV inhibitors
- Mounting Height:
 - Ceiling-Mounted Sensors—8 – 12 ft (2.4 – 3.7 m)
 - Wall-Mounted Sensors—8 – 10 ft (2.4 – 3 m)
 - SWP-HBAY Sensors—10 – 40 ft (3 – 12.2 m)

Regulatory

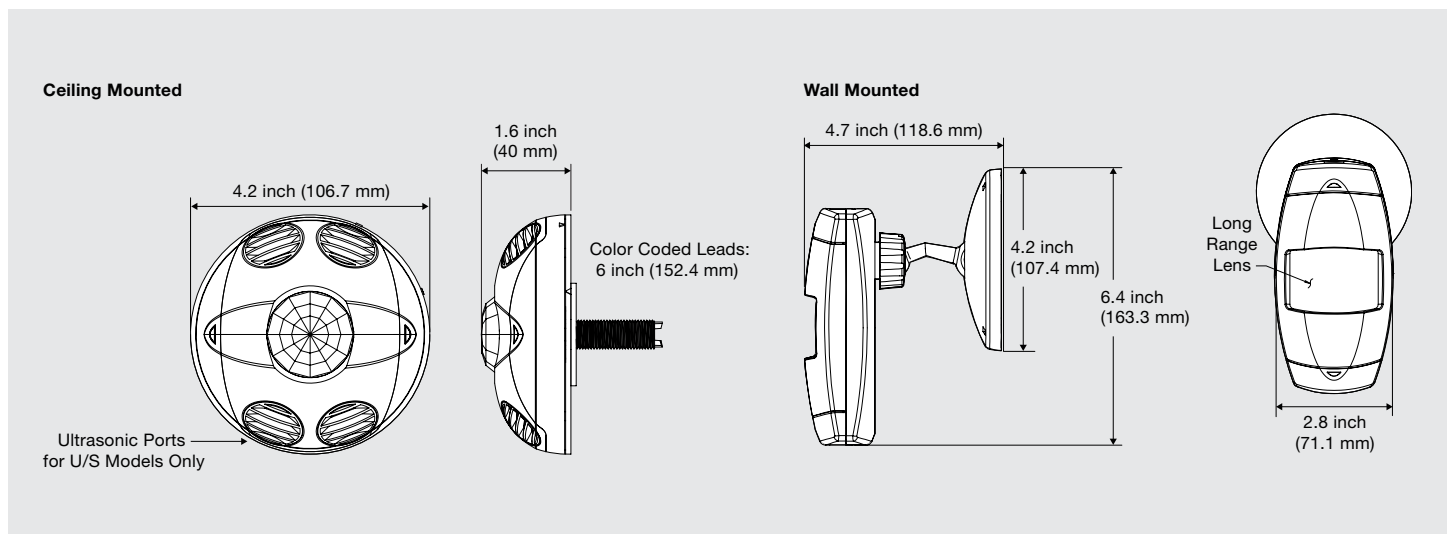
- cULus Certified
- Meets ASHRAE Standard 90.1 and CEC Title 24 requirements

Ordering Information

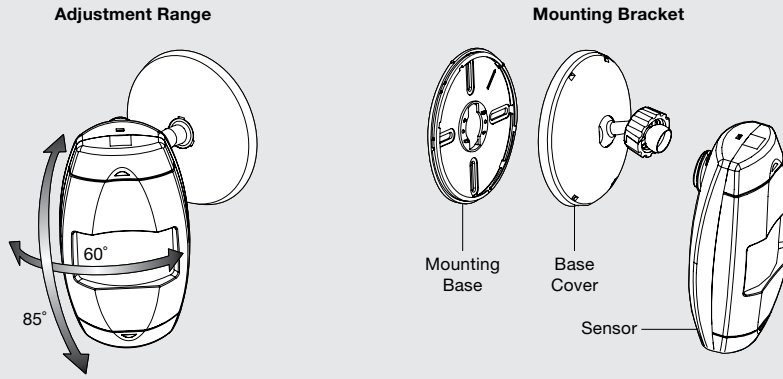
Old Item Number	New Item Number	Ordering Code	Sensing Technologies	Sensing Angle (Degree)	Coverage Area: ft ² /m ² L x W: ft/m	Large, Small Motion Ranges: ft/m	Application	Current Required mA
☀️ 45363	10SC04.IOW	SCP-0450	PIR	360	450/42	–	Ceiling	20
☀️ 45364	10SC15.IOW	SCP-1500	PIR	360	1,500/140	–	Ceiling	20
☀️ 45365	10SC05.MOW	SCM-0500	PIR & U/S	180	500/47	–	Ceiling	25
☀️ 45366	10SC10.MOW	SCM-1000	PIR & U/S	360	1,000/93	–	Ceiling	35
☀️ 45367	10SC20.MOW	SCM-2000	PIR & U/S	360	2,000/186	–	Ceiling	30
☀️ 45368	10SWVV.IOW	SWP-WV00	PIR	110	2,500/232	68, 31 / 21, 9	Wall, Ceiling	15
☀️ 45369	10SW12.MOW	SWM-1200	PIR & U/S	110	1,200/112	68, 31 / 21, 9	Wall, Ceiling	25
☀️ 45370	10SWLR.IOW	SWP-LRNG	PIR	26	100 x 33/31 x 10	Large: 100/31	Long Range	15
☀️ 45371	10SWHB.IOW	SWP-HBAY	PIR	73	55 x 7/17 x 2	Large: 55/17	High Bay Aisle	15

☀️ These items are currently being phased out starting October 2020. As stock is depleted orders will be swapped to the new item numbers. For additional questions, please contact Encellium customer service.

Dimensions

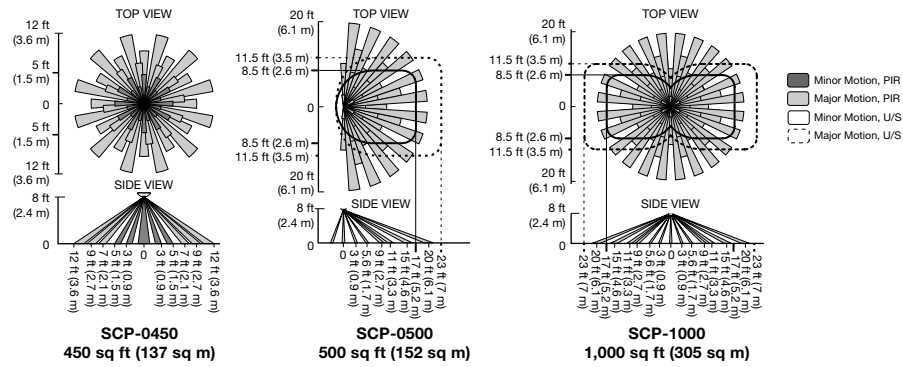


Wall Mount Adjustments and Mounting

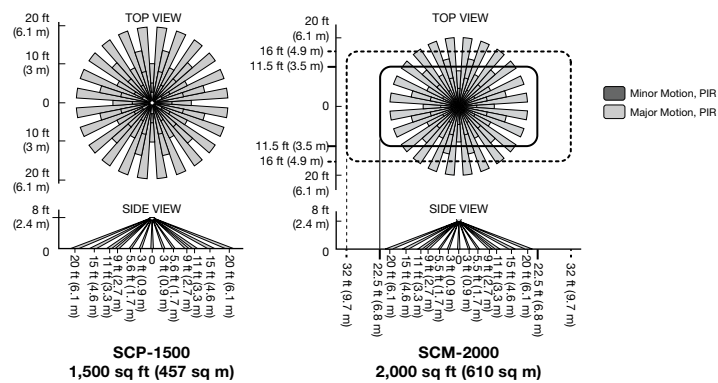


Field-of-View

Ceiling Mounted

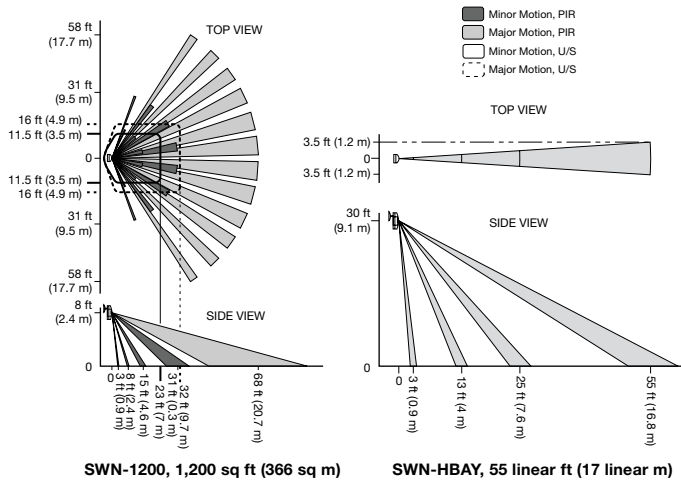


Ceiling Mounted

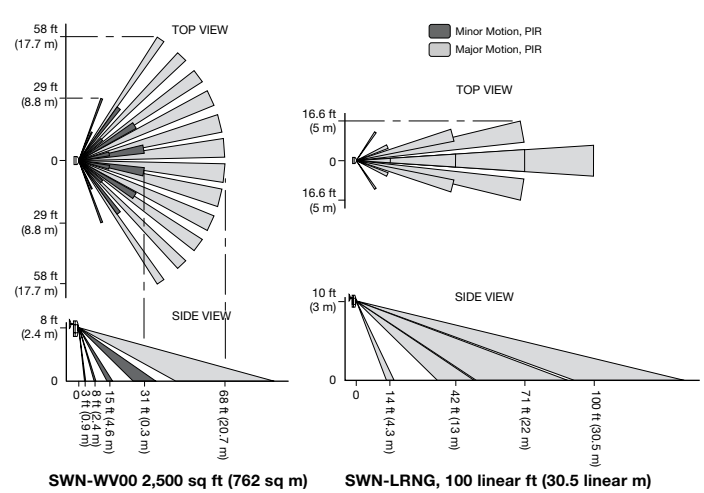


Field-of-View (cont.)

Wall Mounted



Wall Mounted



Warranty

For warranty details, refer to the full warranty documentation at www.encelium.com.

Footnotes:

- 1 Used in wired version of the Encelium Extend Networked Light Management System. When used in the wireless version of the Encelium Extend Networked Light Management System, GreenBus II wire is utilized only for connecting a low-voltage sensor to Wireless Control Module (WCM).
- 2 Mesh network is utilized in wireless version of the Encelium Extend Networked Light Management System & Encelium Edge Standalone Wireless Light Management Systems.
- 3 In wireless systems, depending on the component layout, low-voltage sensors are powered either by Wireless Control Module (WCM) or Wireless Area Lighting Control (WALC) module.
- 4 Available with the Encelium Extend Networked Light Management System.

OSRAM SYLVANIA Inc.
 374 Congress Street
 Suite 600
 Boston, MA 02210 USA
 1-877-636-5267
www.encelium.com

OSRAM is a registered trademark of OSRAM GmbH.
 Encelium Extend and GreenBus II are registered trademarks of OSRAM SYLVANIA Inc.
 Specifications subject to change without notice.
 © 2020 OSRAM SYLVANIA Inc.

LMS144 R4 9-20

OSRAM