

SensiLUM™ Wireless Integrated Sensor



The first wireless integrated sensor in the new SensiLUM™ product family enables occupancy detection, daylighting harvesting and individual or group control of luminaires. Compatible with the Encelium® Extend Light Management System (LMS). SensiLUM sensors offer 0-10 V dimming or OSRAM DEXAL™ (Data Exchange for Advanced Lighting) control options. The DEXAL interface option enables bi-directional communication and power between the driver and the SensiLUM sensor making it ideal for smart building applications that require exact luminaire- specific data, including power consumption, temperature profile, operating hours and diagnostics.

System Compatibility

- Works with the Encelium® Extend Light Management System
- Compatible with both 0-10V (with Dim-to-OFF) and DEXAL LED Drivers
- Powered inherently from LED driver AUX/DEXAL

Key Features & Benefits

- Luminaire integrated wireless sensors that enable:
 - Monitoring real-time occupancy via PIR
 - Photo sensor enabling daylight harvesting
 - Valuable driver data extraction such as power consumption, operating time and thermals via DEXAL interface
- **NEW:** Seamlessly enable tunable white applications with luminaire integrated control for OPTOTRONIC 2-CH DALI Type 8 LED driver
- Adjustable dual-axis shutter allows end user to fine tune field of view
- Unique form factor provides OEMs ultimate design freedom
- Intended for installation into a standard 0.5 inch (Pg-7) knockout
- UL924 Listed for Control of Emergency Lighting
- UL2043 Plenum Rated



Our Brand

ENCELIUM

OSRAM

Specifications

Operating Voltage

- 12-20 V

Operating Power

- <0.3 W in all operation

Sensing

- PIR, Photo sensor

Control Output

- 0-10 V / DEXAL¹

Wireless Control

- ZigBee

Wireless Range

- 150 ft (45.7 m) line of sight

Control Output

- Controls up to (4) DEXAL or (10) 0-10 V drivers

Application Height

- Up to 20 ft (6.1 m)

Installation

- Fits in a standard 0.5 inch (Pg-7) knockout

Lifetime

- 150K hours MTTF

EMI

- FCC part 15 Class A

Field View

- 100° field view coverage

Ambient Temperature

- Ta maximum 140°F (60°C)

Regulatory

- UL Listed, Class 2, Plenum Rated

IP Rating

- IP20

Plenum Rating

- UL2043

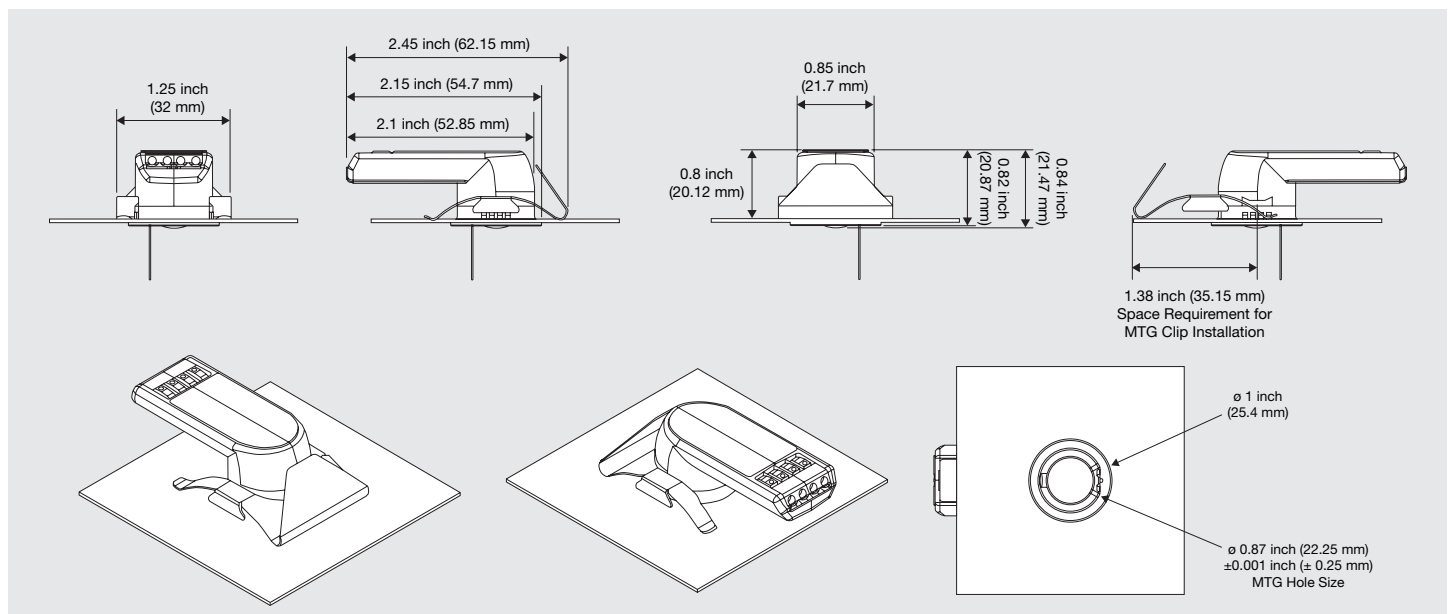
Ordering Information

Item Number	Ordering Code	Communication Network	Dimming Protocol
58286	EN-CLM-PIR-DD-ZB	ZigBee® Wireless	0-10V / DEXAL

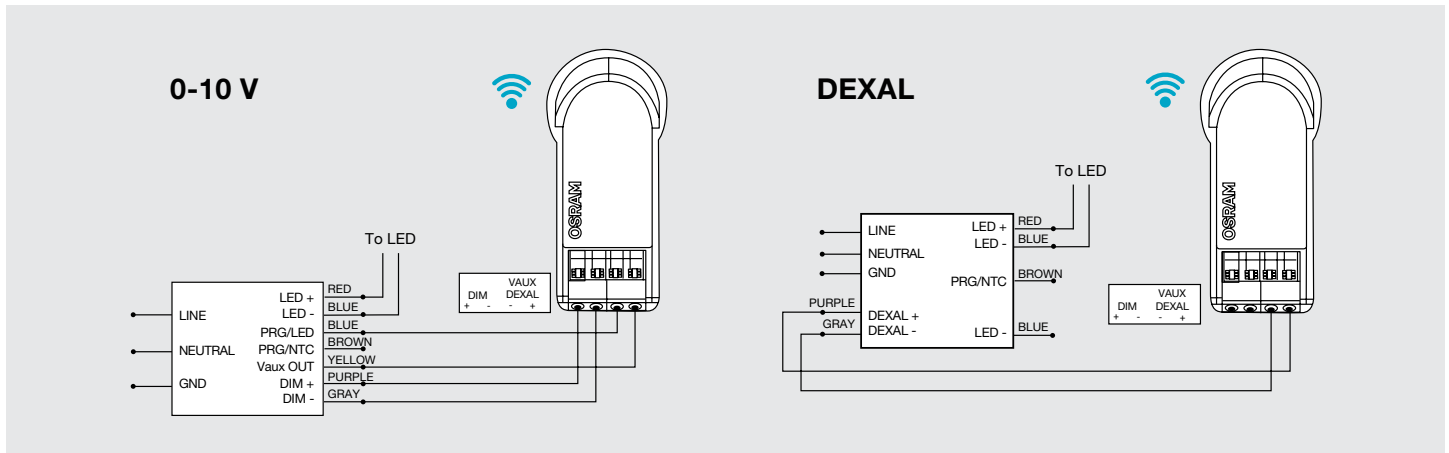
Power Supply Compatibility

	Linear (0-10V) AUX models only	OPTOTRONIC® Driver Linear (DEXAL)	Compact (0-10V) AUX models only
SensiLUM (NAED 58286)	OTI20W, OTI30W, OTI48W, OTI50W, OTI85W	OTI30W, OTI50W, OTI85W	OTI25W, OTI40W, OTI55W

Dimensions & Installation Diagrams



Wiring Diagrams

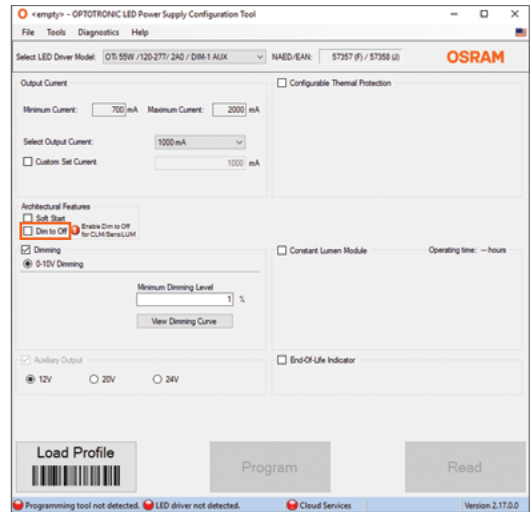


LED Driver Configuration

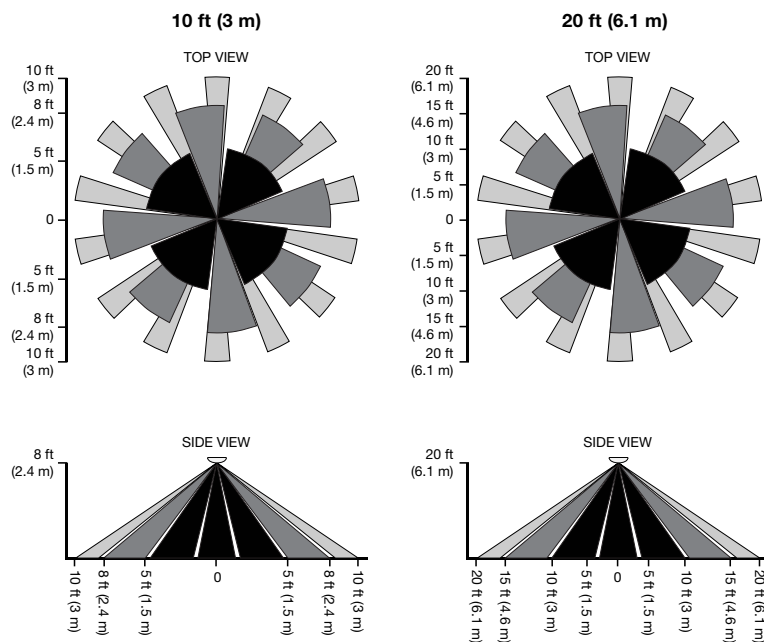
Important: The LED driver must possess Dim-to-OFF capability, and it must be enabled when using with CLM DIM.

If Dim-to-OFF is not enabled, then the CLM DIM will not be able to turn the light fixture ON/OFF.

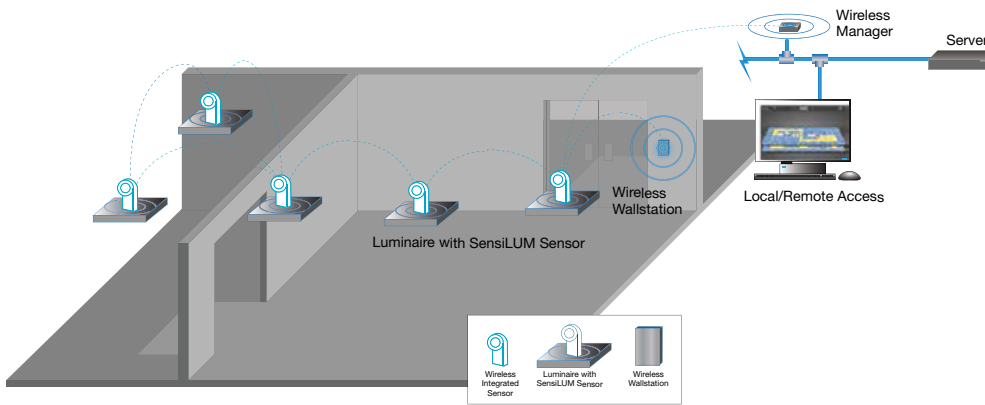
If using OPTOTRONIC® LED Power Supplies, the dim-to-off feature **must be enabled** in the programming software. The default state of dim-to-off feature is disabled for out-of-the-box products.



Field-of-View



Networked Light Management System Architecture



System Architecture

The OSRAM SensiLUM Wireless Integrated Sensor allows luminaires to be wirelessly controlled. The Encelium® Extend Wireless Manager sends dedicated commands wirelessly to each SensiLUM Sensor enabling individually controlled luminaires. (Shown using Encelium Extend Light Management System)

Warranty

For warranty details, refer to the full warranty documentation at www.encelium.com.

Packaging

Quantity: 30 pieces per case

Footnotes:

¹ The sensor auto-detects between a 0-10V and DEXAL LED driver.

OSRAM SYLVANIA Inc.
374 Congress Street
Suite 600
Boston, MA 02210 USA
1-877-636-5267
www.encelium.com

OSRAM is a registered trademark of OSRAM GmbH.
Encelium Extend and GreenBus are registered trademarks of OSRAM SYLVANIA Inc.
Specifications subject to change without notice.
© 2020 OSRAM SYLVANIA Inc.

LMS160 R2 10-20

OSRAM