

Touch Screen Panel



The Encelium® Extend Touch Screen Panels (KX3 and KX7 LCD) allows the Encelium Extend Networked Light Management System (LMS) to be controlled with an interactive 3" or 7" flush-mount LCD touch screen display.

The Encelium Extend Touch Screen Panel provides the ability to recall multiple lighting scenes for a given zone. This is ideal for large multi-purpose spaces where lighting requirements vary throughout the day, such as an auditorium or conference room. With the intuitive panel design, users will be able to easily command various lighting scenarios to achieve a desired atmosphere. The LCD touch panel will allow the following tasks via touch screen input on a per zone basis:

- Setting shade position and tunable white color temperature levels
- Setting brightness levels
- Recalling set scenes
- Switching zones “ON” and “OFF”
- Dim relative & global

The Touch Screen Panel is powered using a PoE (Power over Ethernet) Injector or PoE Network Switch and utilizes an XP-6 Remote Control Processor (KX7 Only). The XP-6 automates the operation of the Touch Screen Panel and integrates the Panel into the Encelium Extend Networked Light Management System.

System Compatibility

- Works with the Encelium® Extend Networked Light Management System

Key Features & Benefits

- Control multiple lighting scenes for multi-purpose spaces
- Capacitive touch screen for page navigation through screen swiping
- Screen appearance can be personalized for every space



Application Information

Applications

- Auditoriums
- Large board rooms
- Large classrooms
- Multi-purpose spaces

Our Brand

ENCELIUM

OSRAM

Ordering Information

Item #	Ordering Description	Display Size	Field Bus	Modifiers
1KX3	KX3 Touch Screen	3.5 inch (89 mm)	GB2	—
45554	EN-RT1KX7	7 inch (178 mm)	GB1/GB2	—
45555	EN-RT1XP6	—	GB1/GB2	—

Specifications

KX3 LCD Touch Screen Panel

Display

- High brightness color TFT LCD, WVGA (400x800 pixels) with 16.7M colors
- Integrated high-resolution resistive touch-screen interfaces

Interfaces

- Integrated 10/100 Base-T with Power-over-Ethernet

Power

- +9 – +16 VDC, 1A maximum
- PoE

Mechanical

- Installation Cut-Out (W X H): 2.94 x 5.19 inch (74.7 x 131.8 mm)
- Outer Bezel Dimension (W X H): 4.35 x 5.88 inch (110.5 x 149.3 mm)
- Total Depth in Wall: 1.27 inch (32.1 mm)
- With Mounting Wings: 1.62 inch (41.2 mm)

KX7 LCD Touch Screen Panel

Display

- Full color 7" TFT LCD, Full VGA (800 x 480 pixels) with 65K colors
- Flexible configurations for custom buttons, text and graphics
- Integrated high-resolution capacitive touch screen

Interfaces

- Integrated 10/100 Base-T with Power-over-Ethernet

Power

- +9 – +16 VDC, 1A maximum
- PoE

Mechanical

- Installation Cut-Out (W X H): 7.7 x 5.6 inch (195 x 143 mm)
- Outer Bezel Dimension (W X H): 8.5 x 5.9 inch (217 x 151 mm)
- Total Depth in Wall: 1.4 inch (36 mm)
- Weight: 1.4 lbs (634 g)

XP-6 Remote Control Processor

Processor

- Powerful 32-bit, 533 MHz CPU
- 128 MB of non-volatile Flash Memory

Interfaces

- Integrated 10/100Base-T Ethernet port

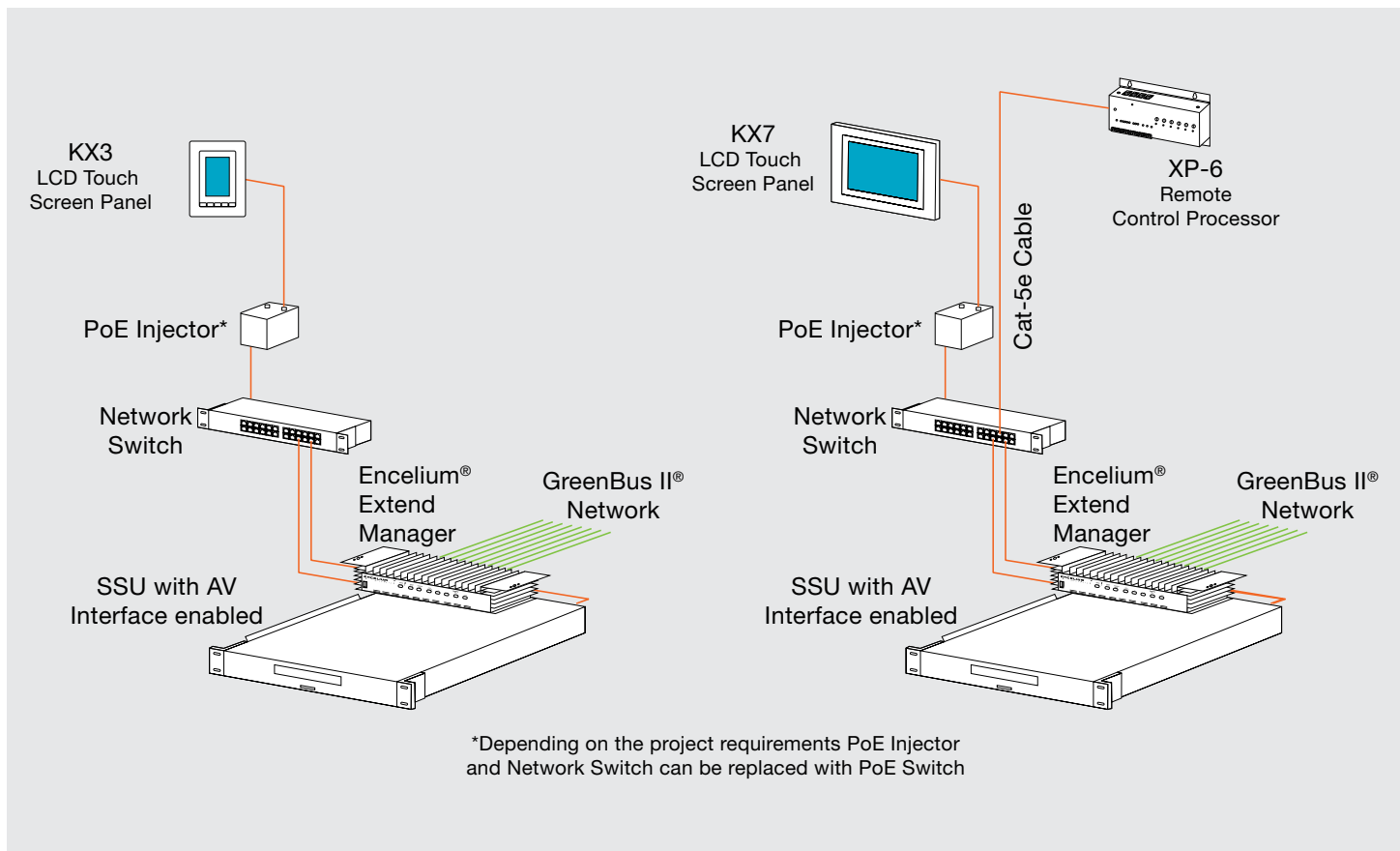
Power

- 12 VDC, 1A (wall-plug supply included)

Mechanical

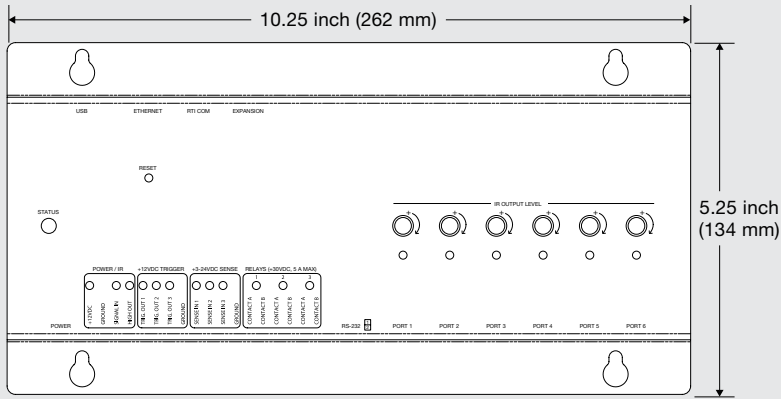
- Wall/surface mount: (W X H X D): 10.3 x 5.25 x 1.5 inch (262 x 134 x 38 mm)
- Weight: 1.2 lbs (544 g)

Wiring Diagram

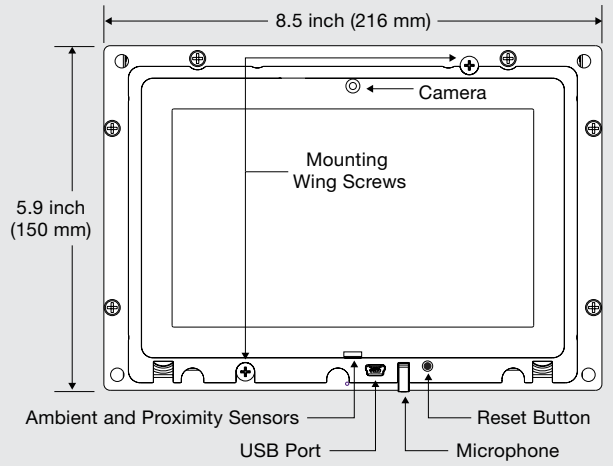


Dimensions

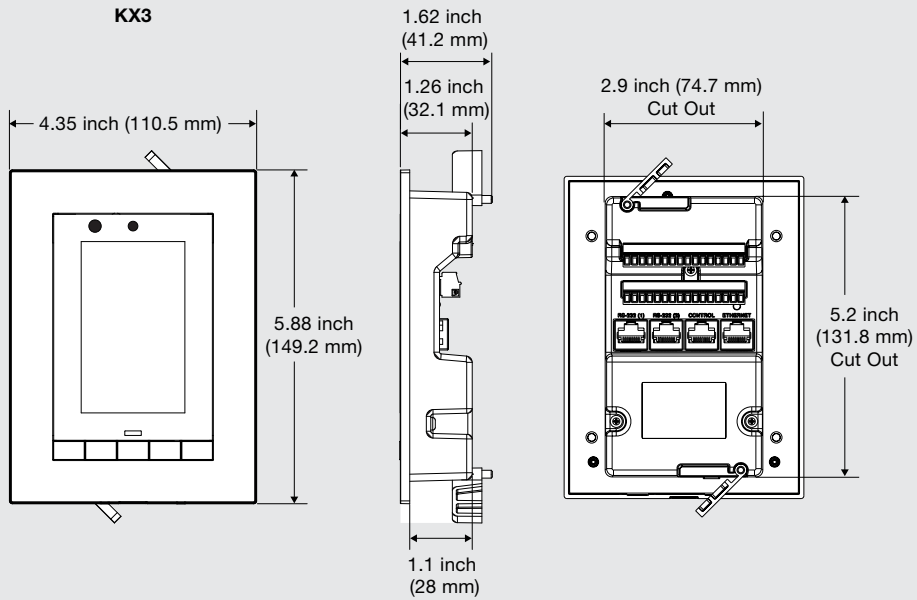
XP-6 Control Processor



KX7 Front (Bezel Removed)



KX3



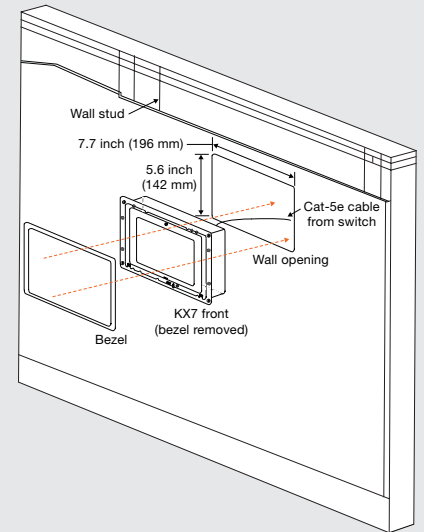
Installation Diagram

KX7 LCD Touch Screen Panel

The KX7 should be mounted on the wall using the two mounting wings that are located on the top and bottom of the KX7, which can be used to secure the KX7 to drywall in retrofit installations. Place the KX7 in the opening in the wall and tighten the mounting wing screws located on the front of the KX7 (bezel removed). The recommended mounting height is between 54 inches (1.37m) and 60 inches (1.52m) from the ground. Use the included cardboard cut-out template to create the correct size opening in the wall.

XP-6 Remote Control Processor

The XP-6 can either be wall-mounted or left free-standing in the IT closet.



Specifications

- Encelium® Extend Networked Light Management System
- AV Interface (LMS062)

OSRAM SYLVANIA Inc.
374 Congress Street
Suite 600
Boston, MA 02210 USA
1-888-531-7573
www.encelium.com

OSRAM is a registered trademark of OSRAM GmbH.
Encelium Extend and GreenBus II are registered trademarks of OSRAM SYLVANIA Inc.
ENCELIUM EDGE is a trademark of OSRAM SYLVANIA Inc.
Specifications subject to change without notice.
© 2018 OSRAM SYLVANIA Inc.

OSRAM