

Wireless Site Lighting Control Module



The Wireless Site Lighting Control (WSLC) Module extends the ENCELIUM®EXTEND Networked Light Management System's controls capability to a building's surroundings or site such as parking lots and short pathways, via a wireless mesh network based on ZigBee® standards. The WSLC installs on top of a luminaire via an ANSI C136.41 compliant 3, 5 or 7-pin twist-lock connector.

The WSLC is individually addressable via the ENCELIUM EXTEND Wireless System Manager and can switch luminaires ON/OFF via an integrated high current relay, dim luminaires equipped with 0-10V dimming drivers or ballasts, DEXAL™ or DALI dimming drivers or ballasts and has an input for an external occupancy sensor.

System Compatibility

- Works with the ENCELIUM® EXTEND Networked Light Management System

Key Features & Benefits

- Up to 10A switching control
- Wireless control
- Compatible with 0-10V, DALI or DEXAL drivers for ON/OFF and dimming control
- Controlled via ENCELIUM Polaris 3D® enabling
 - Time scheduling
 - Astronomical clock operation
 - Daylight harvesting
 - Partial OFF states
 - Occupancy mode
 - Energy reporting/metering
- Autonomous operation via photocell
- Input for external occupancy sensor
- Sleek low profile



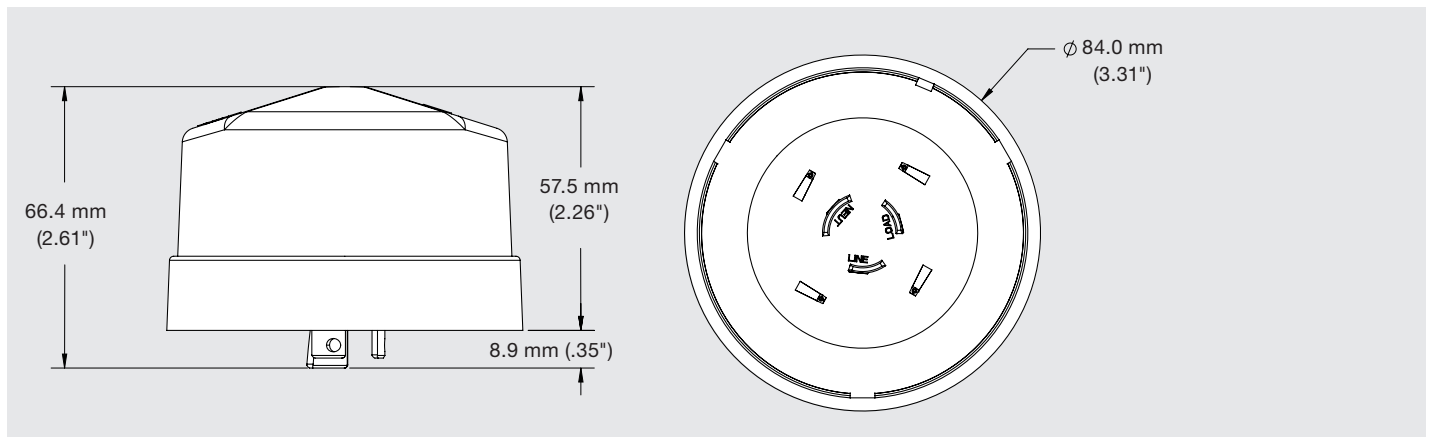
Specifications

- Power**
- Operating voltage: 120V-347V
 - Power consumption at no load: < 1.0W
 - Surge protection: 6kV, 3kA
- Load Rating**
- 10A: Electronic driver/ballast, magnetic ballast, resistive load
- Interface**
- Single dimming output that is 0-10V (IEC 60929 Annex E), DALI or DEXAL compatible
 - Sink/source 10 mA
 - Sensor Input: Maximum 20 mA; minimum 18V; nominal 19.5V
- Software**
- Individual addressability
 - Time schedule based control
 - Daylight based control
 - Astronomical schedule based control
 - Occupancy based control
- Power Metering**
- V, I, P, Energy
 - Accuracy is < 2% from 0.5A to 10A load
 - Accuracy is < 5% below 0.5A
- Environmental**
- Operating temp: -40°F to +150°F (-40°C to +65°C)
 - Relative humidity: 0% to 95%
 - Ingress protection: IP66
- Communication**
- Wireless protocol: ZigBee®
 - Radio frequency: 2.4 GHz
 - Transmit power: 20 dBm
 - Up to 1,000 ft. Line of sight between modules
- Physical**
- Base diameter: 3.31" (84 mm); height: 2.61" (66.4 mm)
 - Weight: 0.44lbs (200g)
 - Color: black
 - Housing: UV stabilized PC
- Regulatory**
- UL/916/773 cULus listed
 - Meets ASHRAE Standard 90.1 and CEC Title 24 requirements
 - FCC Part 15/ICES-003

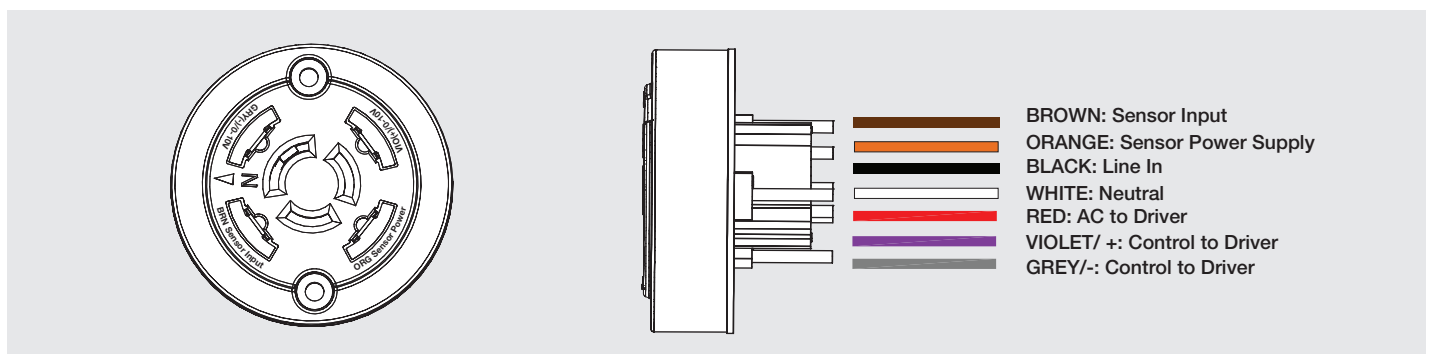
Ordering Information

Item Number	Name	Ordering Code	Sensing Technologies
56303	Wireless Site Lighting Control (WSLC) Module	EN-OC-SLC-ZB	Onboard photo sensor and input for external sensor

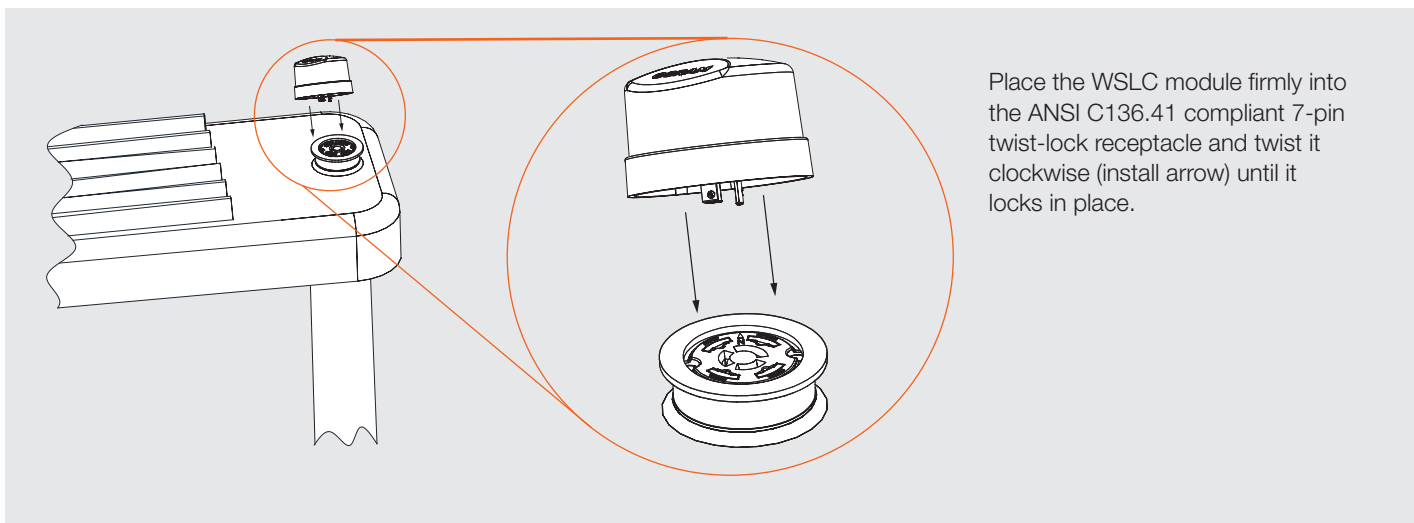
Dimensions



Wiring Diagram*



Installation



Place the WSLC module firmly into the ANSI C136.41 compliant 7-pin twist-lock receptacle and twist it clockwise (install arrow) until it locks in place.

Warranty

Warranty documentation is available at www.osram.us.

Notes

* Wiring diagram provided for reference only. Product shown in wiring diagram not sold or supplied by OSRAM.

OSRAM SYLVANIA Inc.
200 Ballardvale Street
Wilmington, MA 01887 USA
888-531-7573
www.osram.us/ds

OSRAM is a registered trademark of OSRAM GmbH.
ENCELIUM EXTEND is a registered trademark of OSRAM SYLVANIA Inc.
DEXAL is a trademark of OSRAM SYLVANIA Inc.
ZigBee is a registered trademark of the ZigBee Alliance.
Specifications subject to change without notice.

© 2018 OSRAM SYLVANIA Inc.

LMS137R3 4-18

OSRAM