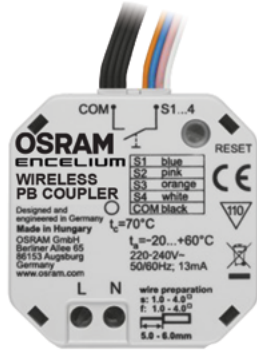


Encelium Wireless Push Button Coupler



The Encelium Wireless Push Button Coupler (WPBC) enables convenient control of light levels and works with the Encelium Light Management System. The WPBC is a binary input device for installation in flush-mounted boxes.

The device is powered by mains connection and an integral part of the Encelium System. The WPBC has 4 input channels for potential free contacts. Either switches or push buttons can be connected.

Each button (input) on the WPBC is field configurable to suit the desired control scheme in the installed space. This includes commands such as:

- Turn On or Turn Off
- Dim Up or Dim Down
- Recall Scene
- Toggle On/Off
- Changing and recall color temperature

System Compatibility

- Works with the Encelium® Extend Networked Light Management System

Key Features & Benefits

- Active ZigBee Mesh device (repeater function)
- Mains powered (no batteries)
- Up to 4 buttons connected and configurable
- Simple On/Off or multi-scene control
- Easy and versatile installation and wiring with color coded wires
- >50,000 h lifetime at $t_a = 140^\circ\text{F}$ (60°C)
- Compatible with standard recessed boxes

Applications

- Offices
- Healthcare
- Public Buildings
- Education



Our Brand

ENCELIUM

OSRAM

Ordering Information

| Product Name | EAN10 | EAN40 | Pieces/Box |
|------------------------------|---------------|---------------|------------|
| Encelium Wireless PB Coupler | 4052899591561 | 4052899591578 | 60 |

Specifications

Input

- Nominal supply voltage: 230 V, 50/60 Hz
- Nominal power consumption: 0.2 – 1 W
- Galvanic insulation push button interface to mains: Basic insulation (use wires suitable for mains voltage)
- Number of inputs: 4
- Cable length: 11 inch (280 mm), extendable to 10 ft (3 m) maximum per channel
- Wire diameter: ~0.02 inch (0.55 mm), cross section 0.008 inch² (0.22 mm²)

Wireless Interface

- Typical connectivity range: 49 ft (15 m), depending on mounting environment
- Frequency range: 2,400 – 2,483.5 MHz
- Radiated power: 8 dBm
- Communication standard: ZigBee

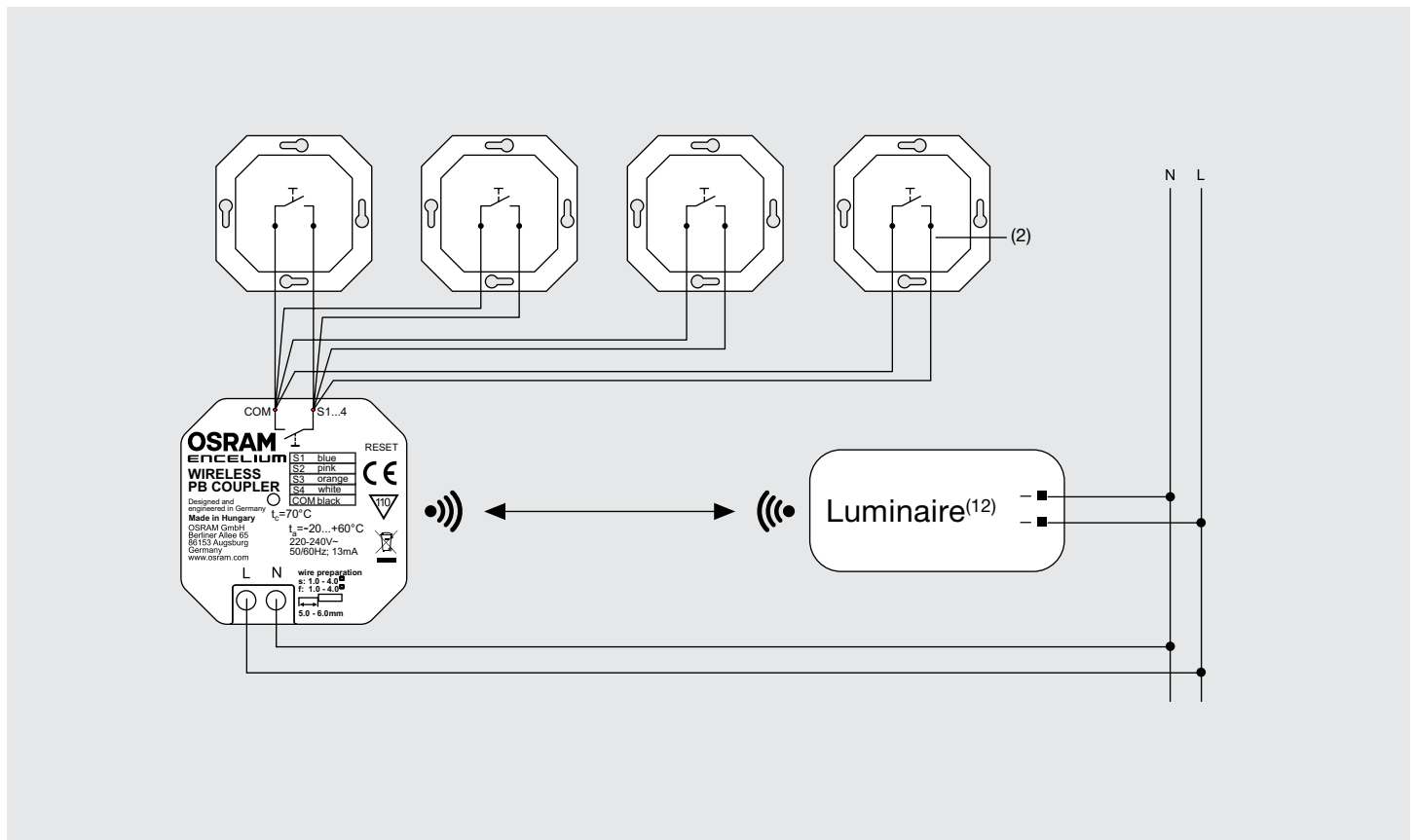
Environmental

- Ambient temperature range t_a : -4° – 140° F (-20° – 60° C)
- Maximum allowed case temperature t_c : 158° F (70° C) measured on t_c point (see dimension drawing), t_c may not exceed
- Maximum case temperature in fault condition: 230° F (110° C)
- Storage temperature range: -13° – 185° F (-25° – 85° C)
- Relative Humidity: 5% – 85% RH non-condensing
- Environmental rating: Indoor
- IP Rating: IP20
- Expected lifetime: 50,000 hours at $t_a = 140°$ F (60° C)

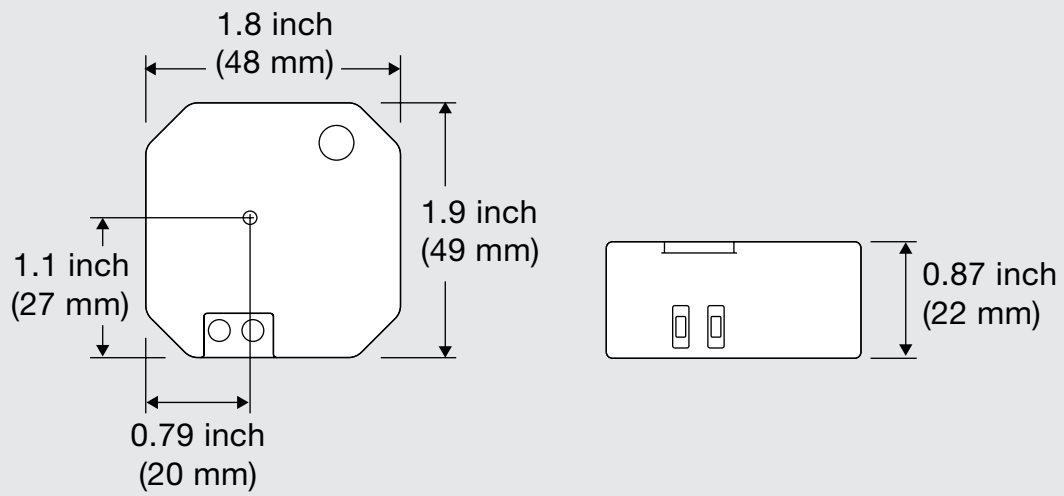
Regulatory

- CE

Wiring Diagram



Dimensions



OSRAM SYLVANIA Inc.
374 Congress Street
Suite 600
Boston, MA 02210 USA
1-888-531-7573
www.encelium.com

OSRAM is a registered trademark of OSRAM GmbH.
Encelium Extend and GreenBus II are registered trademarks of OSRAM SYLVANIA Inc.
Specifications subject to change without notice.
© 2020 OSRAM SYLVANIA Inc.

LMS200 R1 9-20

OSRAM